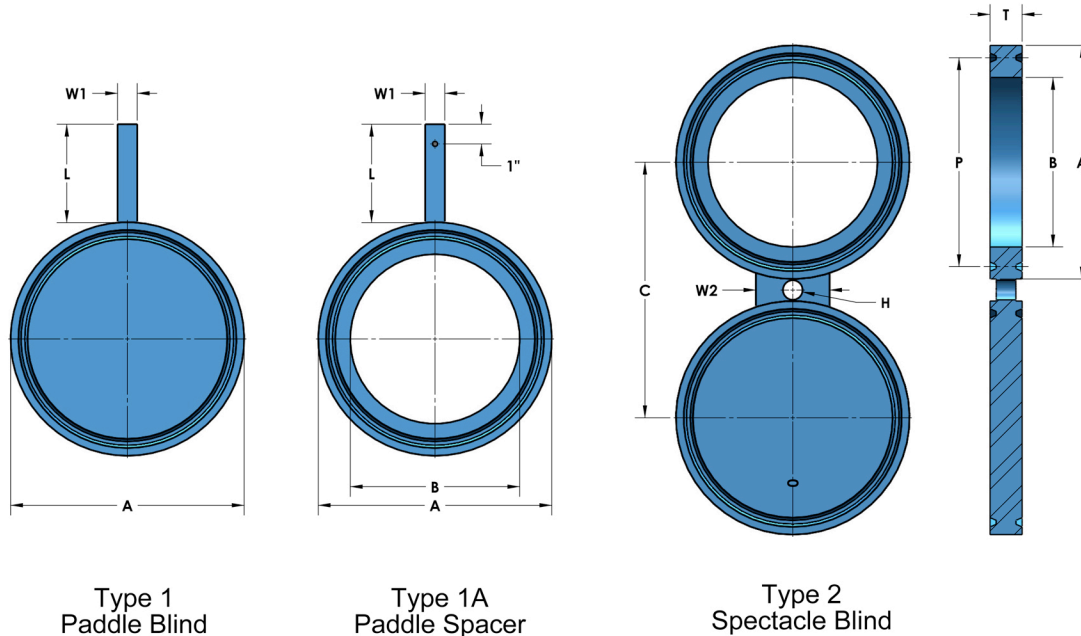


## ANSI 2500# Female Ring Joint



| Dimensional Data (in) |       |       |       |       |        |   |     |      |       |      | Approximate Weights (lbs) |     |     |
|-----------------------|-------|-------|-------|-------|--------|---|-----|------|-------|------|---------------------------|-----|-----|
| Size                  | A     | B     | C     | T     | P      | L | W1  | W2   | H     | Ring | 1                         | 1A  | 2   |
| 1/2                   | 2.56  | 0.84  | 3.50  | 1.00  | 1.688  | 5 | 1.0 | 1.50 | 0.875 | R 13 | 2                         | 2   | 4   |
| 3/4                   | 2.88  | 1.05  | 3.75  | 1.12  | 2.000  | 5 | 1.0 | 1.75 | 0.875 | R 16 | 3                         | 3   | 5   |
| 1                     | 3.25  | 1.32  | 4.25  | 1.12  | 2.375  | 5 | 1.0 | 2.12 | 1.000 | R 18 | 4                         | 4   | 6   |
| 1 1/4                 | 4.00  | 1.66  | 5.12  | 1.38  | 2.844  | 5 | 1.0 | 2.12 | 1.125 | R 21 | 7                         | 5   | 10  |
| 1 1/2                 | 4.50  | 1.90  | 5.75  | 1.50  | 3.250  | 5 | 1.0 | 2.38 | 1.250 | R 23 | 8                         | 7   | 14  |
| 2                     | 5.25  | 2.38  | 6.75  | 1.62  | 4.000  | 5 | 1.0 | 2.25 | 1.125 | R 26 | 13                        | 11  | 20  |
| 2 1/2                 | 5.88  | 2.88  | 7.75  | 1.88  | 4.375  | 6 | 1.0 | 2.38 | 1.250 | R 28 | 17                        | 13  | 27  |
| 3                     | 6.62  | 3.50  | 9.00  | 2.00  | 5.000  | 6 | 1.0 | 3.00 | 1.375 | R 32 | 22                        | 17  | 35  |
| 4                     | 8.00  | 4.50  | 10.75 | 2.50  | 6.188  | 7 | 1.0 | 3.25 | 1.625 | R 38 | 37                        | 26  | 60  |
| 5                     | 9.50  | 5.56  | 12.75 | 2.88  | 7.500  | 7 | 1.0 | 3.50 | 1.875 | R 42 | 64                        | 43  | 104 |
| 6                     | 11.00 | 6.62  | 14.50 | 3.25  | 9.000  | 8 | 1.0 | 3.75 | 2.125 | R 47 | 91                        | 59  | 147 |
| 8                     | 13.38 | 8.62  | 17.25 | 3.88  | 11.000 | 8 | 1   | 3.75 | 2.125 | R 51 | 158                       | 94  | 249 |
| 10                    | 16.75 | 10.75 | 21.25 | 4.62  | 13.50  | 9 | 1.5 | 3.58 | 2.625 | R 55 | 300                       | 178 | 476 |
| 12                    | 19.50 | 12.75 | 24.38 | 5.250 | 16.00  | 9 | 1.5 | 6.00 | 2.875 | R 60 | 453                       | 261 | 714 |