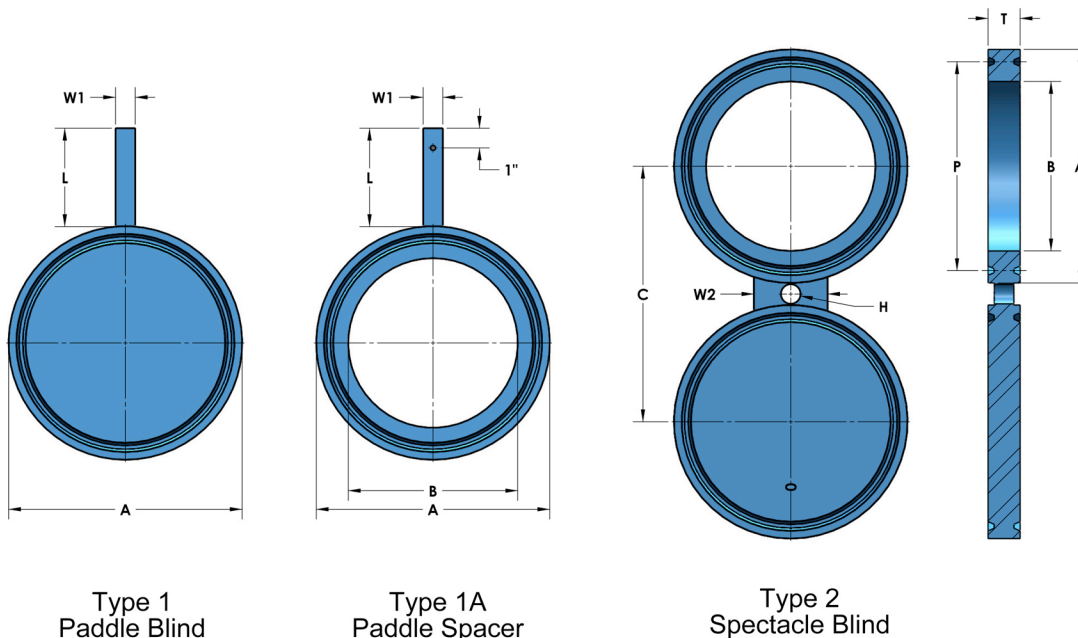


## ANSI 150# Female Ring Joint



Type 1  
Paddle Blind

Type 1A  
Paddle Spacer

Type 2  
Spectacle Blind

Dimensional Data (in)											Approximate Weights (lbs)		
Size	A	B	C	T	P	L	W1	W2	H	Ring	1	1A	2
1/2	2.38	0.84	3.25	0.88	1.562	5	1.0	1.50	0.875	R 12	1	1	1
3/4	2.62	1.05	3.50	1.00	1.750	5	1.0	1.75	0.875	R 14	2	2	2
1	2.81	1.32	4.00	1.00	2.000	5	1.0	2.00	1.000	R 16	3	3	4
1 1/4	3.19	1.66	4.38	1.00	2.375	5	1.0	2.00	1.000	R 18	4	3	5
1 1/2	3.62	1.90	4.88	1.12	2.688	5	1.0	2.50	1.125	R 20	5	4	6
2	4.88	2.38	6.50	1.38	3.750	5	1.0	2.12	1.000	R 24	8	7	13
2 1/2	5.38	2.88	7.50	1.50	4.250	6	1.0	2.62	1.125	R 27	11	8	18
3	6.62	3.50	8.00	1.75	5.375	6	1.0	2.88	1.250	R 35	19	14	31
4	7.62	4.50	9.50	1.88	6.575	6	1.0	3.00	1.375	R 39	28	19	43
5	9.00	5.56	11.50	2.12	7.625	6	1.0	3.00	1.625	R 44	41	25	61
6	9.75	6.62	12.50	2.38	8.312	6	1.0	3.12	1.500	R 46	53	30	79
8	12.50	8.62	15.50	2.88	10.625	7	1.0	3.38	1.750	R 50	106	57	159
10	14.62	10.75	19.00	3.25	12.750	8	1.5	5.25	2.000	R 54	161	76	236
12	17.25	12.75	22.50	4.00	15.000	8	1.5	5.25	2.125	R 58	268	124	390
14	19.25	14.00	25.00	4.38	16.500	9	1.5	5.50	2.375	R 63	365	174	539
16	21.50	16.00	27.75	4.88	18.500	9	1.5	5.75	2.625	R 67	511	230	744
18	24.12	18.00	30.50	5.25	21.000	10	1.5	6.00	2.875	R 71	700	312	1015
20	26.50	20.00	32.75	5.62	23.000	10	1.5	6.50	3.125	R 75	912	394	1313
24	31.25	24.00	19.00	6.62	27.250	10	1.5	7.00	3.625	R 79	1484	611	2108